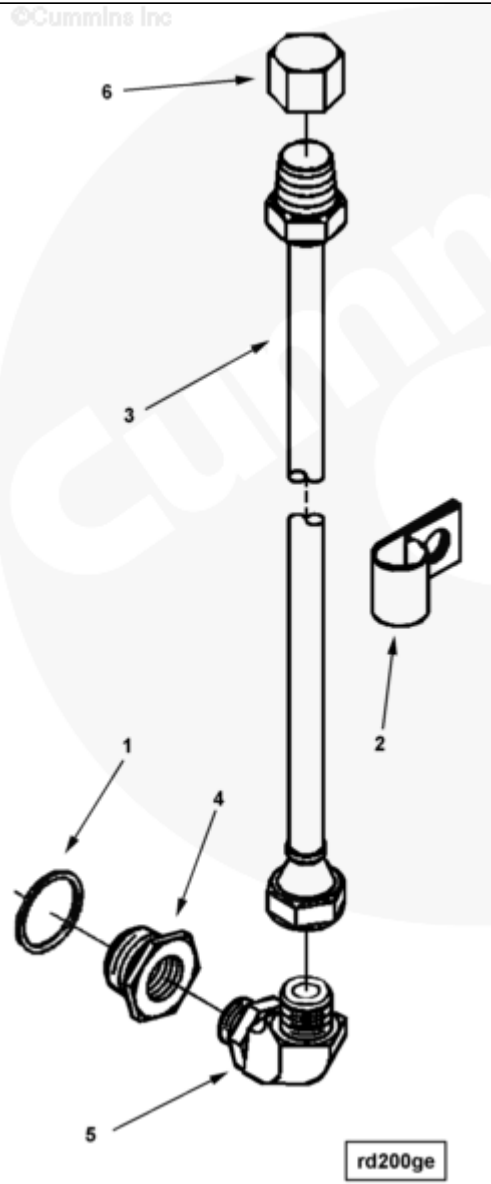




Parts Catalog - Option Detail

Electronic Parts Catalog - Option Detail				
Option	Group	Graphic	Film Card	Date
RD2008-03	07.04	rd200ge	II	07-AUG-02
Engines	ISM CM570, ISM CM570/870, ISM CM875, ISM CM876, ISM CM876 E, ISM11 CM876 M103, ISM11 CM876 SN, M11 CELECT, M11 CELECT PLUS, M11 MECHANICAL, QSM11 CM570, QSM11 CM876			



SMALL | MEDIUM | LARGE

Cart	Ref No	Part Number	Part Description	Required	Remarks
View My Cart					
		RD2008-03	Remote Oil Drain		

					Remote Oil Drain
					Supply Method: Mounted in
					Oil Pan
					Drain Adapter Thread Size("):
					1-18 UNS-2B To M18 x 1.5
					1.5
					Oil Pan Material: Cast
					Aluminum
					Remote Drain Location: Front
					Sump, Exhaust Side Oil Drain
					Hose for Connection to
					Customer Supplied Oil Change
					Pump
<input type="checkbox"/>	1	67946	Plain Washer	1	1 1/32 in.
<input type="checkbox"/>	2	216848	Clip	1	
<input type="checkbox"/>	3	3957410	Flexible Hose	1	
<input type="checkbox"/>	4	3892389	Threaded Plug	1	
<input type="checkbox"/>	5	3957977	Male Adapter Elbow		
<input type="checkbox"/>		3417976	O-Ring Seal	1	
<input type="checkbox"/>		3417977	Retaining Ring	1	
		3897142	Male Adapter Elbow	1	
<input type="checkbox"/>	6	3925676	Pipe Cap	1	